

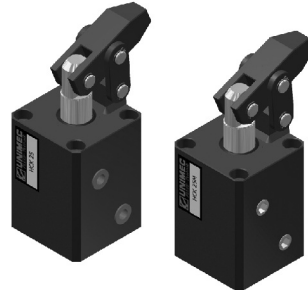
## 7MPa Hydraulic lever-type cylinders

**HCK**  
Standard type

**HCK-F**  
Manifold type



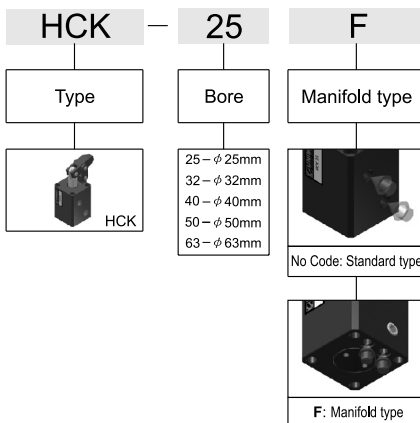
- The clamp structure of this model is based on the lever principle; it will be tightened as piston putting out. The clamping force is stronger than the swing clamp cylinder's. The parts are installed outside the cylinder barrel for maintaining easily.
- The cylinder barrel and clamp structure are made of carbon steel. It is firm, durable and long-lived to use.



## Specification

Bore sizes of cylinder (mm)	φ 25	φ 32	φ 40	φ 50	φ 63
Piston-rod (mm)	φ 18	φ 20	φ 22.4	φ 28	φ 35
Standard stroke (mm)	25	25	30	35	40
Max. pressure (MPa)	7				
The range of pressure (MPa)	0.5~5				
Clamping force (3 MPa)	1296N	2123N	3063N	4531N	6471N

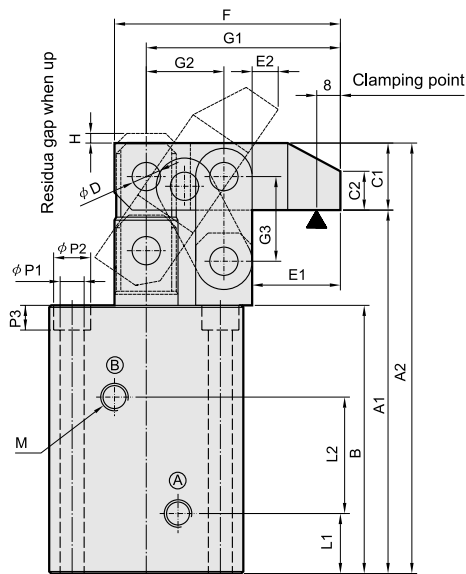
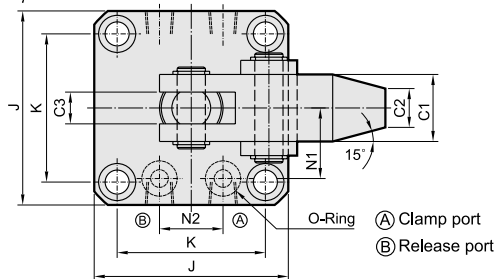
## How to order



## Dimensional features

● **HCK TYPE** φ 25~φ 63

● **HCK-F TYPE** φ 25~φ 63



## Dimensional Table

Bore	A1	A2	B	C1	C2	C3	D	E1	E2	F	G1	G2	G3
φ 25	103	122	76	19	11	9	8	25	5	64	55	22	24
φ 32	112	131	85	19	11	9	8	25	5	64	55	22	24
φ 40	122	144.2	90	22.2	13	10	10	30	5.5	77	66	26	29
φ 50	137	162.4	100	25.4	15	11	12	35.5	6.5	90	77	30	33
φ 63	155	186.8	111	31.8	19	15	15	43	12.8	110	94	36	39

Bore	H	J	K	L1	L2	M	N1	N2	O	P1	P2	P3
φ 25	3	55	42	17	33	PT 1/8	20	18	P7	6.8	10.5	7
φ 32	3	57	44	19	38	PT 1/8	22	22	P7	6.8	10.5	7
φ 40	4	69	52	19	40	PT 1/4	26	26	P8	9	14	9
φ 50	5	75	58	21.5	45	PT 1/4	30	32	P8	9	14	9
φ 63	4	96	75	22	52	PT 1/4	38	38	P9	11	18	11

TC

TS

RP

HC

HC\_M

HCK

TH

DO

DX  
DW

DM

DH

DK