

## Duble-Single acting cylinders

### DJI..N

Single Acting - Normally Retracted Piston Rod Type



### DJI..M

Single Acting - Normally Retracted Piston Rod Type (piston with magnet)



### DJO..N

Single Acting - Normally Extended Piston Rod Type



### DJO..M

Single Acting - Normally Extended Piston Rod Type (piston with magnet)



### DJA..N

Double Acting - Single End Rod Type



### DJA..M

Double Acting - Single End Rod Type (piston with magnet)



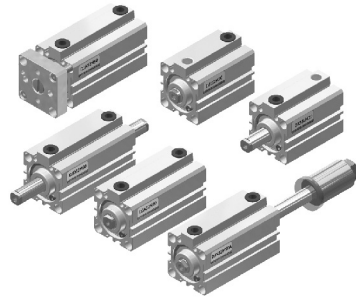
### DJD..N

Double Acting - Double End Rod Type



### DJD..M

Double Acting - Double End Rod Type (piston with magnet)



- Magnetic piston (optional).
- Short in design, space-saving.

### DJN..N

Double Acting - Adjustable Forward Stroke Type



### DJN..M

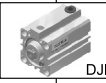




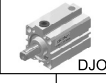
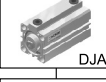


Double Acting - Adjustable Forward Stroke Type (piston with magnet)



## Specification

Bore sizes of cylinder (mm)	φ 12	φ 16	φ 20	φ 25	φ 32	φ 40	φ 50	φ 63	φ 80	φ 100
Stroke (mm)	10, 15, 20, 25, 30, 35, 40, 45, 50, 55, 60, 75, 85, 100, 125, 150									
The range of stroke (mm)	Max. 30		Max. 150							
Power fluid	Filtered air with or without lubrication									
The range of pressure (MPa)	0.2~0.7		0.15~0.7				0.1~0.7			
The range of temperature (°C)	-10~+60									

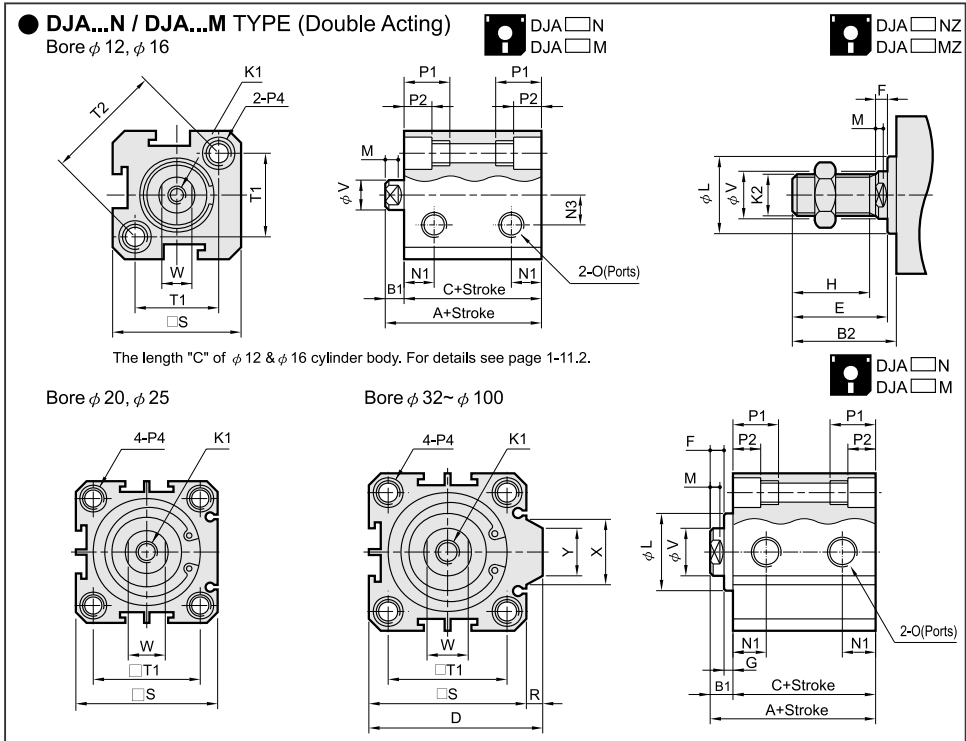
## How to order

<b>DJN</b>	<b>20</b>	<b>M</b>	<b>10</b>	<b>Z</b>	<b>A</b>	<b>LN01D</b>	<b>×</b>	<b>2</b>
Type	Bore	Magnet	Stroke	Accessory	Adjustable stroke	Sensor switch		Quantity
 DJI	12—φ 12mm 16—φ 16mm 20—φ 20mm 25—φ 25mm 32—φ 32mm 40—φ 40mm 50—φ 50mm 63—φ 63mm 80—φ 80mm 100—φ 100mm	M: With magnet N: No magnet	10—10mm 15—15mm 20—20mm 25—25mm 30—30mm 35—35mm 40—40mm 45—45mm 50—50mm 55—55mm 60—60mm 75—75mm 85—85mm 100—100mm 125—125mm 150—150mm	 No Code: Female thread in rod end   Z: Male thread in rod end	None: standard A: Adjustable 25mm B: Adjustable 40mm  Note: this number can only be used for the adjustable type.	 LN01D   LN09D		1: 1pc 2: 2pcs
 DJO								
 DJA								
 DJD	 DJN							

Note:  
1.Can choose NPN or PNP type (3-Wire type, 24VDC).  
2.Can choose plug-in cable.  
3.For details see page 4-1.3 or 4-1.5.



### Double acting - Standard type



### Dimensional Table

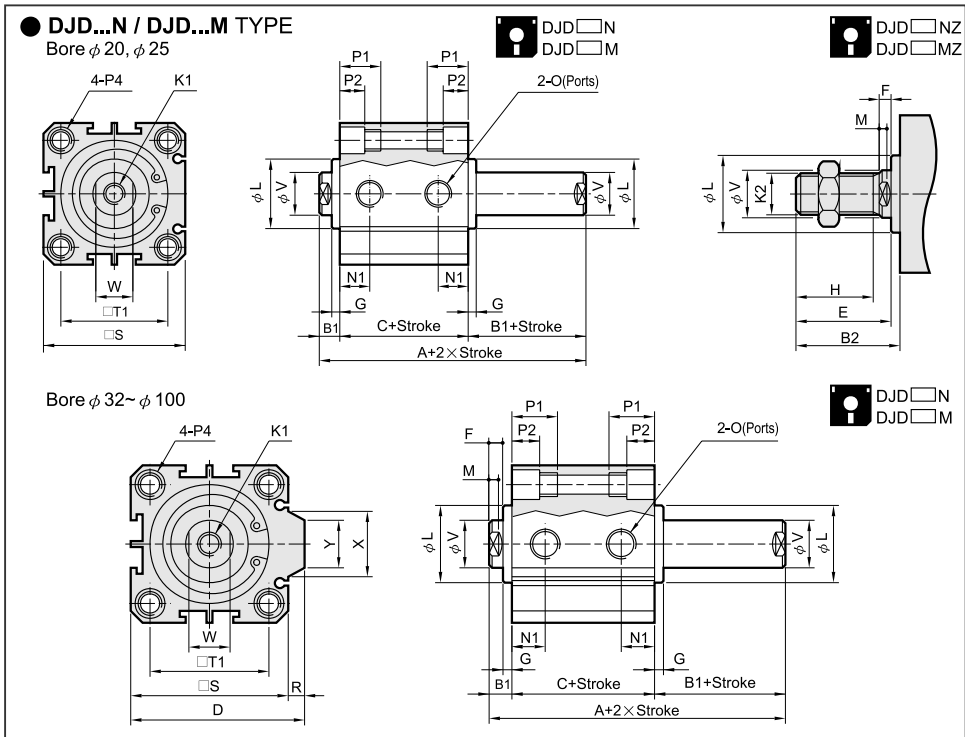
The length "C" of cylinder body is same of the stroke: (5,10)(15,20)(25,30)(35,40)(45,50)(55,60)

Bore	DJA...N		DJA...M		B1	B2	D	E	F	G	H	K1 (Female thread)	K2 (Male thread)	L	M	N1
	A	C	A	C												
φ 12	25	20.5	35	30.5	4.5	14.5	-	14.5	4.5	-	9	M3×0.5P×7L	M5×0.8	9,8	3	7.5
φ 16	25.2	21.5	35.2	31.5	3.7	13.7	-	13.7	3.7	-	9	M3×0.5P×7L	M5×0.8	10	3	8
φ 20	25	19.5	35	29.5	5.5	19.5	-	18	4	1.5	13	M4×0.7P×10L	M6×1.0	13	3	7.5
φ 25	27.2	21.2	37.2	31.2	6	22	-	20.1	4.1	1.9	15	M5×0.8P×10L	M8×1.25	17	3	8
φ 32	31	24	41	34	7	24	50	20.7	3.7	3.3	16	M6×1.0P×14L	M10×1.25	22	3	9
φ 40	33.5	26.5	43.5	36.5	7	34	58.5	30.7	3.7	3.3	25	M8×1.25P×14L	M14×1.5	28	3	10
φ 50	37.6	28.6	47.6	38.6	9	36	71.5	32.1	5.1	3.9	25	M10×1.5P×15L	M18×1.5	38	3	10.8
φ 63	41	32.5	51	42.5	8.5	35.5	84.5	31.6	4.6	3.9	25	M10×1.5P×15L	M18×1.5	40	3	11
φ 80	52	41.3	62	51.3	10.7	43.7	104	38.7	5.7	5	30	M14×1.5P×20L	M22×1.5	45	4	13
φ 100	54	45.3	64	55.3	8.7	41.7	124	38.7	5.7	3	30	M16×2.0P×20L	M22×1.5	45	4	15

Bore	N3	O	P1	P2	P4				R	S	T1	T2	V	W	X	Y
					φ 4.3,2	φ 5.1,2	φ 6.8,2	φ 8.5dp								
φ 12	6	M5×0.8	10.5	4.5	φ 4.3,2—M5×0.8P×6L, φ 6.5×4.5dp	-	25	15.7	22.2	6	5	-	-	-	-	-
φ 16	6.5	M5×0.8	10.5	4.5	φ 4.3,2—M5×0.8P×6L, φ 6.5×4.5dp	-	29	19.8	28	6	5	-	-	-	-	-
φ 20	-	M5×0.8	11	5	φ 4.3,2—M5×0.8P×6L, φ 7×5dp	-	34	24	-	8	6	-	-	-	-	-
φ 25	-	M5×0.8	14	6	φ 5.1,2—M6×1.0P×8L, φ 8×6dp	-	40	28	-	10	8	-	-	-	-	-
φ 32	-	PT 1/8	14	6	φ 5.1,2—M6×1.0P×8L, φ 8×6dp	6	44	34	-	12	10	15	13.6	-	-	-
φ 40	-	PT 1/8	18	8	φ 6.8,2—M8×1.25P×10L, φ 10×8dp	6.5	52	40	-	16	14	15	13.6	-	-	-
φ 50	-	PT 1/4	18.5	8.5	φ 6.8,2—M8×1.25P×10L, φ 11×8.5dp	9.5	62	48	-	20	17	21.6	19	-	-	-
φ 63	-	PT 1/4	18.5	8.5	φ 6.8,2—M8×1.25P×10L, φ 11×8.5dp	9.5	75	60	-	20	17	32	20.5	-	-	-
φ 80	-	PT 3/8	22.5	10.5	φ 10.4,2—M12×1.75P×12L, φ 14×10.5dp	10	94	74	-	25	22	38.8	26.8	-	-	-
φ 100	-	PT 3/8	28	13	φ 12.5,2—M14×2.0P×15L, φ 18.5×13dp	10	114	90	-	25	22	37.3	26.3	-	-	-

## Double acting - Double end rod type



- DA
- DP
- DS
- DQ
- DB
- DN
- BN
- ST
- NT
- DU
- DJ
- TA
- GP
- GS
- GM
- GT
- RT
- CT
- CH

### Dimensional Table

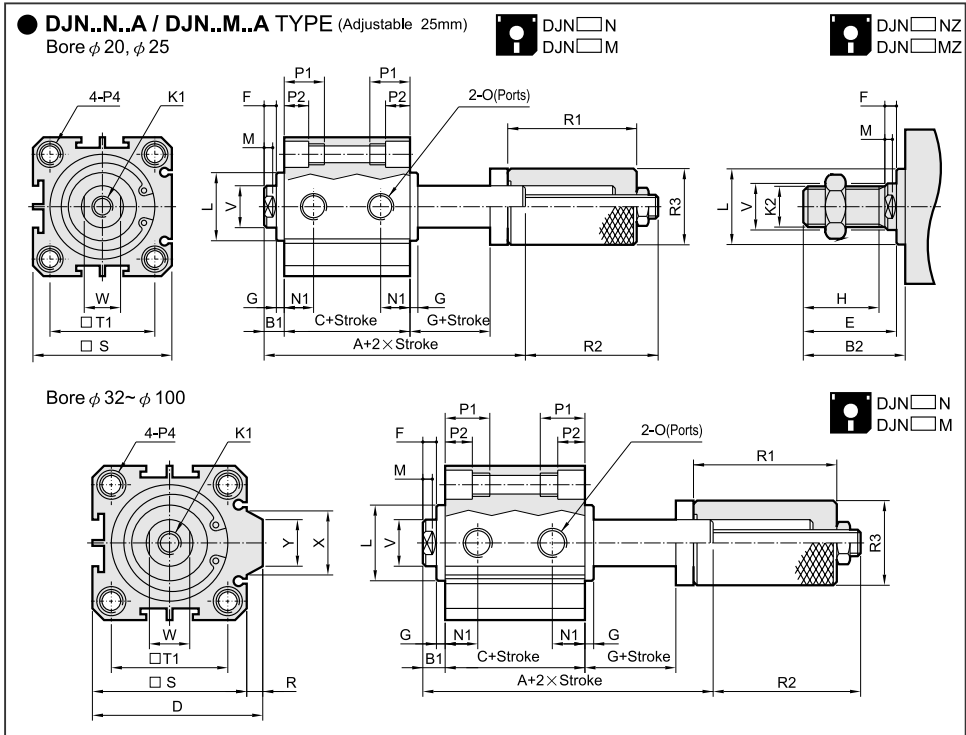
The length "C" of cylinder body is same of the stroke: (5,10)(15,20)(25,30)(35,40)(45,50)(55,60)

Bore	DJD...N		DJD...M		B1	B2	D	E	F	G	H	K1 (Female thread)	K2 (Male thread)	L	M	N1
	A	C	A	C												
φ 20	30.5	19.5	40.5	29.5	5.5	19.5	-	18	4	1.5	13	M4 × 0.7P × 10L	M6 × 1.0	13	3	7.5
φ 25	33.2	21.2	43.2	31.2	6	22	-	20.1	4.1	1.9	15	M5 × 0.8P × 10L	M8 × 1.25	17	3	8
φ 32	38	24	48	34	7	24	50	20.7	3.7	3.3	16	M6 × 1.0P × 14L	M10 × 1.25	22	3	9
φ 40	40.5	26.5	50.5	36.5	7	34	58.5	30.7	3.7	3.3	25	M8 × 1.25P × 14L	M14 × 1.5	28	3	10
φ 50	46.6	28.6	56.6	38.6	9	36	71.5	32.1	5.1	3.9	25	M10 × 1.5P × 15L	M18 × 1.5	38	3	10.8
φ 63	49.5	32.5	59.5	42.5	8.5	35.5	84.5	31.6	4.6	3.9	25	M10 × 1.5P × 15L	M18 × 1.5	40	3	11
φ 80	62.7	41.3	72.7	51.3	10.7	43.7	104	38.7	5.7	5	30	M14 × 1.5P × 20L	M22 × 1.5	45	4	13
φ 100	62.7	45.3	72.7	55.3	8.7	41.7	124	38.7	5.7	3	30	M16 × 2.0P × 20L	M22 × 1.5	45	4	15

Bore	N3	O	P1	P2	P4				R	S	T1	V	W	X	Y
					φ 4.3, 2	φ 5.1, 2	φ 6.8, 2	φ 8.2							
φ 20	-	M5 × 0.8	11	5	φ 4.3, 2	φ 5.1, 2	φ 6.8, 2	φ 8.2	-	34	24	8	6	-	-
φ 25	-	M5 × 0.8	14	6	φ 5.1, 2	φ 6.8, 2	φ 8.2	φ 10.5	-	40	28	10	8	-	-
φ 32	-	PT 1/8	14	6	φ 5.1, 2	φ 6.8, 2	φ 8.2	φ 10.5	6	44	34	12	10	15	13.6
φ 40	-	PT 1/8	18	8	φ 6.8, 2	φ 8.2	φ 10.5	φ 12.5	6.5	52	40	16	14	15	13.6
φ 50	-	PT 1/4	18.5	8.5	φ 6.8, 2	φ 8.2	φ 10.5	φ 12.5	9.5	62	48	20	17	21.6	19
φ 63	-	PT 1/4	18.5	8.5	φ 6.8, 2	φ 8.2	φ 10.5	φ 12.5	9.5	75	60	20	17	32	20.5
φ 80	-	PT 3/8	22.5	10.5	φ 10.4, 2	φ 12.5	φ 14	φ 16	10	94	74	25	22	38.8	26.8
φ 100	-	PT 3/8	28	13	φ 12.5, 2	φ 14	φ 16	φ 18.5	10	114	90	25	22	37.3	26.3

### Dimensional features



### Dimensional Table

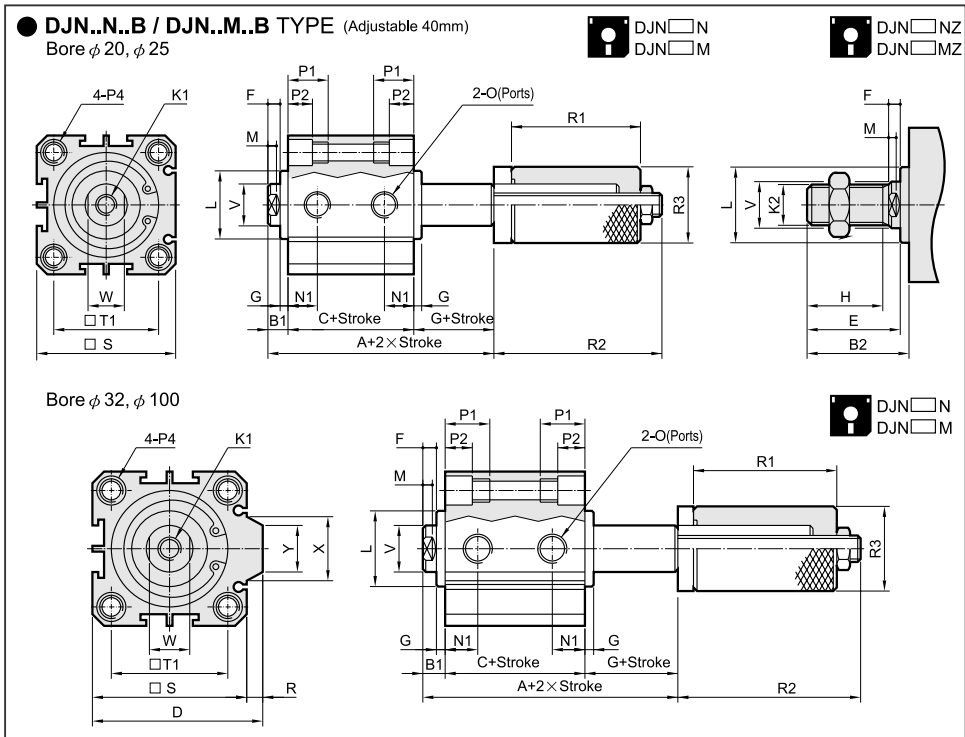
The length "C" of cylinder body is same of the stroke: (5,10)(15,20)(25,30)(35,40)(45,50)(55,60)

Bore	DJN...N		DJN...M		B1	B2	D	E	F	G	H	K1 (Female thread)	K2 (Male thread)	L	M	N1
	A	C	A	C												
φ 20	26.5	19.5	36.5	29.5	5.5	19.5	-	18	4	1.5	13	M4 × 0.7P × 10L	M6 × 1.0	13	3	7.5
φ 25	29.1	21.2	39.1	31.2	6	22	-	20.1	4.1	1.9	15	M5 × 0.8P × 10L	M8 × 1.25	17	3	8
φ 32	34.3	24	44.3	34	7	24	50	20.7	3.7	3.3	16	M6 × 1.0P × 14L	M10 × 1.25	22	3	9
φ 40	36.8	26.5	46.8	36.5	7	34	58.5	30.7	3.7	3.3	25	M8 × 1.25P × 14L	M14 × 1.5	28	3	10
φ 50	41.5	28.6	51.5	38.6	9	36	71.5	32.1	5.1	3.9	25	M10 × 1.5P × 15L	M18 × 1.5	38	3	10.8
φ 63	44.9	32.5	54.9	42.5	8.5	35.5	84.5	31.6	4.6	3.9	25	M10 × 1.5P × 15L	M18 × 1.5	40	3	11
φ 80	57	41.3	67	51.3	10.7	43.7	104	38.7	5.7	5	30	M14 × 1.5P × 20L	M22 × 1.5	45	4	13
φ 100	57	45.3	67	55.3	8.7	41.7	124	38.7	5.7	3	30	M16 × 2.0P × 20L	M22 × 1.5	45	4	15

Bore	O	P1	P2	P4				R	R1	R2	R3	S	T1	V	W	X	Y
				φ 4.3,2	φ 5.1,2	φ 6.8,2	φ 8.5dp										
φ 20	M5 × 0.8	11	5	φ 4.3,2—M5 × 0.8P × 6L, φ 7 × 5dp	-	31	39.5	16	34	24	8	6	-	-	-	-	
φ 25	M5 × 0.8	14	6	φ 5.1,2—M6 × 1.0P × 8L, φ 8 × 6dp	-	33	43	20	40	28	10	8	-	-	-	-	
φ 32	PT 1/8	14	6	φ 5.1,2—M6 × 1.0P × 8L, φ 8 × 6dp	6	33	44.5	25	44	34	12	10	15	13.6	-	-	
φ 40	PT 1/8	18	8	φ 6.8,2—M8 × 1.25P × 10L, φ 10 × 8dp	6.5	35	50	32	52	40	16	14	15	13.6	-	-	
φ 50	PT 1/4	18.5	8.5	φ 6.8,2—M8 × 1.25P × 10L, φ 11 × 8.5dp	9.5	37	57	38	62	48	20	17	21.6	19	-	-	
φ 63	PT 1/4	18.5	8.5	φ 6.8,2—M8 × 1.25P × 10L, φ 11 × 8.5dp	9.5	37	57	38	75	60	20	17	32	20.5	-	-	
φ 80	PT 3/8	22.5	10.5	φ 10.4,2—M12 × 1.75P × 12L, φ 14 × 10.5dp	10	37	59.5	44	94	74	25	22	38.8	26.8	-	-	
φ 100	PT 3/8	28	13	φ 12.5,2—M14 × 2.0P × 15L, φ 18.5 × 13dp	10	37	59.5	44	114	90	25	22	37.3	26.3	-	-	

### Dimensional features



- DA
- DP
- DS
- DQ
- DB
- DN
- BN
- ST
- NT
- DU
- DJ
- TA
- GP
- GS
- GM
- GT
- RT
- CT
- CH

### Dimensional Table

The length "C" of cylinder body is same of the stroke: (5,10)(15,20)(25,30)(35,40)(45,50)(55,60)

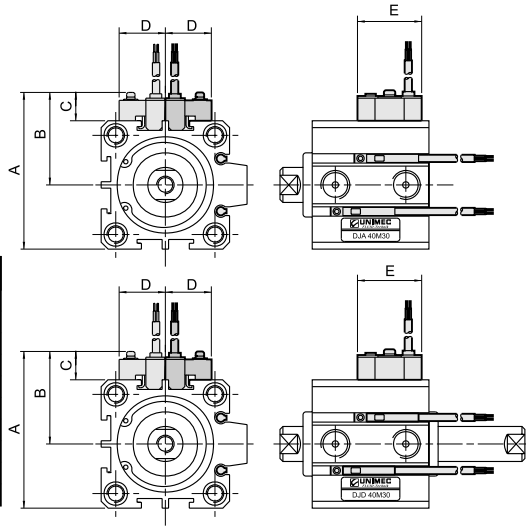
Bore	DJN...N		DJN...M		B1	B2	D	E	F	G	H	K1 (Female thread)	K2 (Male thread)	L	M	N1
	A	C	A	C												
φ 20	26.5	19.5	36.5	29.5	5.5	19.5	-	18	4	1.5	13	M4 × 0.7P × 10L	M6 × 1.0	13	3	7.5
φ 25	29.1	21.2	39.5	31.2	6	22	-	20.1	4.1	1.9	15	M5 × 0.8P × 10L	M8 × 1.25	17	3	8
φ 32	34.3	24	44.3	34	7	24	50	20.7	3.7	3.3	16	M6 × 1.0P × 14L	M10 × 1.25	22	3	9
φ 40	36.8	26.5	46.8	36.5	7	34	58.5	30.7	3.7	3.3	25	M8 × 1.25P × 14L	M14 × 1.5	28	3	10
φ 50	41.5	28.6	51.5	38.6	9	36	71.5	32.1	5.1	3.9	25	M10 × 1.5P × 15L	M18 × 1.5	38	3	10.8
φ 63	44.9	32.5	54.9	42.5	8.5	35.5	84.5	31.6	4.6	3.9	25	M10 × 1.5P × 15L	M18 × 1.5	40	3	11
φ 80	57	41.3	67	51.3	10.7	43.7	104	38.7	5.7	5	30	M14 × 1.5P × 20L	M22 × 1.5	45	4	13
φ 100	57	45.3	67	55.3	8.7	41.7	124	38.7	5.7	3	30	M16 × 2.0P × 20L	M22 × 1.5	45	4	15

Bore	O	P1	P2	P4				R	R1	R2	R3	S	T1	V	W	X	Y
				φ 4.3,2	φ 5.1,2	φ 5.1,2	φ 6.8,2										
φ 20	M5 × 0.8	11	5	φ 4.3,2—M5 × 0.8P × 6L, φ 7 × 5dp	-	56	64.5	16	34	24	8	6	-	-	-	-	
φ 25	M5 × 0.8	14	6	φ 5.1,2—M6 × 1.0P × 8L, φ 8 × 6dp	-	58	68	20	40	28	10	8	-	-	-	-	
φ 32	PT 1/8	14	6	φ 5.1,2—M6 × 1.0P × 8L, φ 8 × 6dp	6	58	69.5	25	44	34	12	10	15	13.6	-	-	
φ 40	PT 1/8	18	8	φ 6.8,2—M8 × 1.25P × 10L, φ 10 × 8dp	6.5	60	75	32	52	40	16	14	15	13.6	-	-	
φ 50	PT 1/4	18.5	8.5	φ 6.8,2—M8 × 1.25P × 10L, φ 11 × 8.5dp	9.5	62	82	38	62	48	20	17	21.6	19	-	-	
φ 63	PT 1/4	18.5	8.5	φ 6.8,2—M8 × 1.25P × 10L, φ 11 × 8.5dp	9.5	62	82	38	75	60	20	17	32	20.5	-	-	
φ 80	PT 3/8	22.5	10.5	φ 10.4,2—M12 × 1.75P × 12L, φ 14 × 10.5dp	10	62	84.5	44	94	74	25	22	38.8	26.8	-	-	
φ 100	PT 3/8	28	13	φ 12.5,2—M14 × 2.0P × 15L, φ 18.5 × 13dp	10	62	84.5	44	114	90	25	22	37.3	26.3	-	-	

### Installation of sensor switches

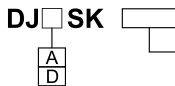
- DJA TYPE
- DJD TYPE



### Dimensional Table

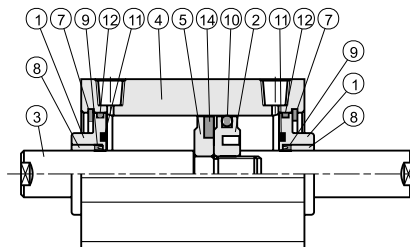
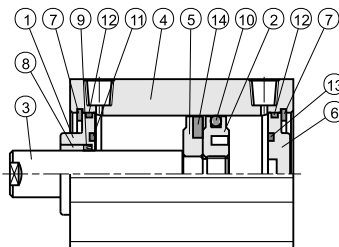
Bore	Sensor switch	A	B	C	D	E
12	LN01D	34.5	22	9.5	15.5	22
16	LN01D	38.5	24	9.5	15.5	22
20	LN01D	43.5	26.5	9.5	15.5	22
25	LN01D	49.5	29.5	9.5	15.5	22
32	LN01D	53.5	31.5	9.5	15.5	22
40	LN01D	61.5	35.5	9.5	15.5	22
50	LN01D	71.5	40.5	9.5	15.5	22
63	LN01D	84.5	47	9.5	15.5	22
80	LN01D	103.5	56.5	9.5	15.5	22
100	LN01D	123.5	66.5	9.5	15.5	22

### How to order the seal kit



Bore	Seal kit
12	DJASK12 - Including No.9,10,12
16	DJASK16 - Including No.9,10,12
20	DJASK20 - Including No.9,10,12
25	DJASK25 - Including No.9,10,12
32	DJASK32 - Including No.9,10,12
40	DJASK40 - Including No.9,10,12
50	DJASK50 - Including No.9,10,12
63	DJASK63 - Including No.9,10,12
80	DJASK80 - Including No.9,10,12
100	DJASK100 - Including No.9,10,12

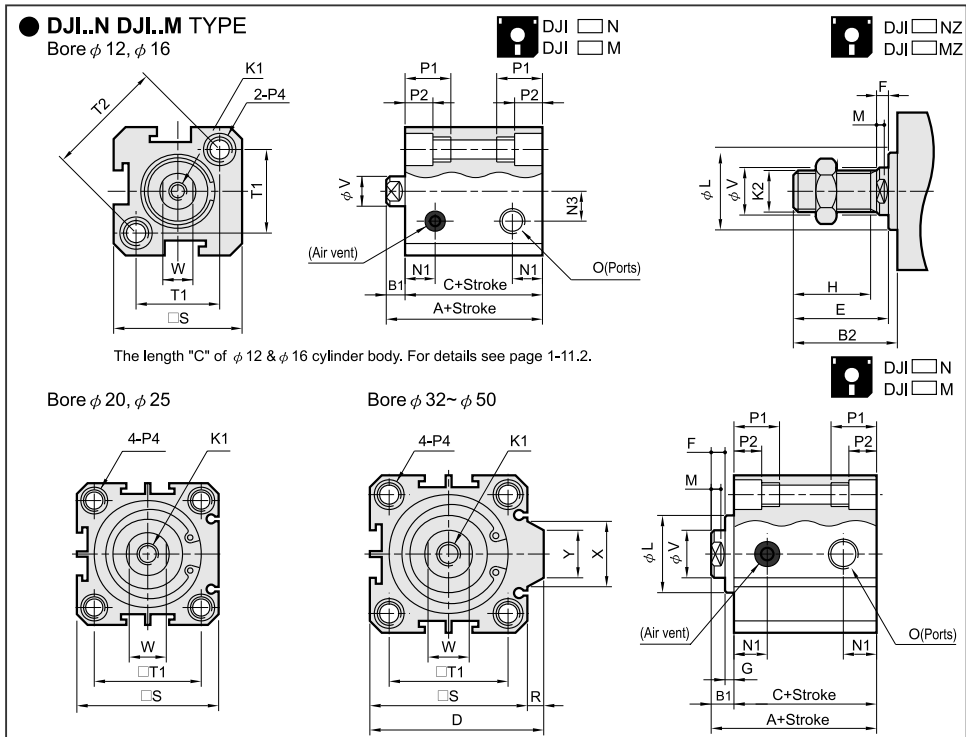
Bore	Seal kit
12	DJDSK12 - Including No.9,10,12
16	DJDSK16 - Including No.9,10,12
20	DJDSK20 - Including No.9,10,12
25	DJDSK25 - Including No.9,10,12
32	DJDSK32 - Including No.9,10,12
40	DJDSK40 - Including No.9,10,12
50	DJDSK50 - Including No.9,10,12
63	DJDSK63 - Including No.9,10,12
80	DJDSK80 - Including No.9,10,12
100	DJDSK100 - Including No.9,10,12



### Parts List

No.	Part name	Quantity	No.	Part name	Quantity	No.	Part name	Quantity
1	Rod cover	1	6	End cover	1	11	Rubber lining	1
2	Piston	1	7	Snap ring	2	12	Cylinder gasket	2
3	Piston rod	1	8	Oilless bearing	1	13	Rubber lining	1
4	Cylinder tube	1	9	Rod packing	1	14	Magnet	1
5	Magnet holder	1	10	Piston packing	1	15		

## Single acting - Normally retracted piston rod type



- DA
- DP
- DS
- DQ
- DB
- DN
- BN
- ST
- NT
- DU
- DJ
- TA
- GP
- GS
- GM
- GT
- RT
- CT
- CH

## Dimensional Table

The length "C" of cylinder body is same of the stroke: (5,10)(15,20)(25,30)(35,40)(45,50)(55,60)

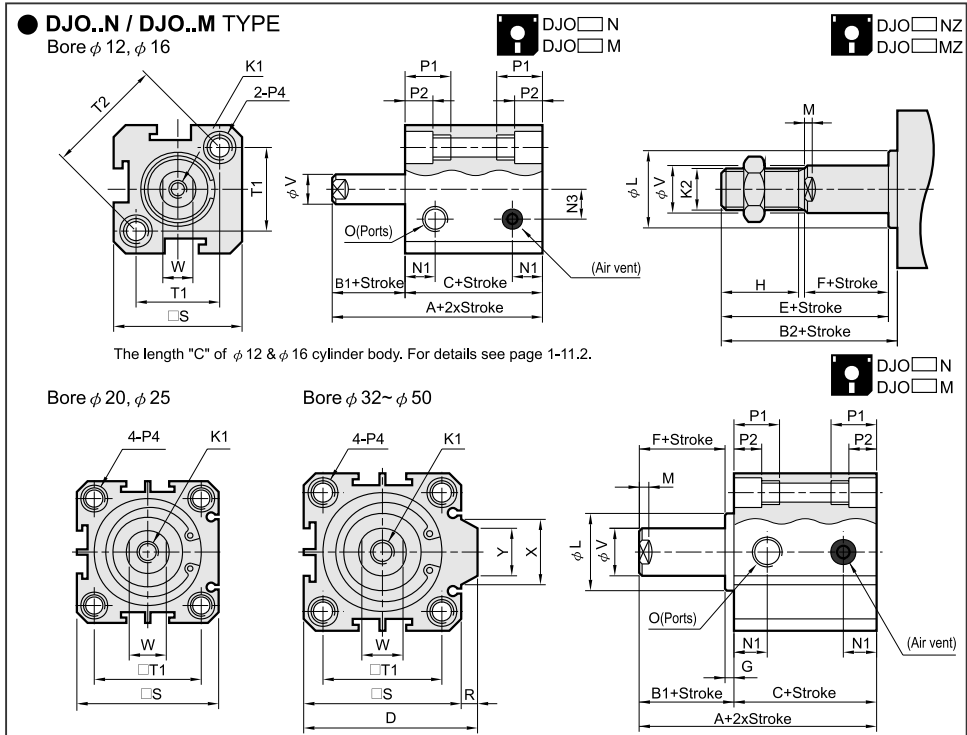
Bore	DJI..N				DJI..M				B1	B2	D	E	F	G	H	K1(Female thread)	K2(Male thread)	L
	Stroke 5~15		Stroke 20~30		Stroke 5~10		Stroke 20											
	A	C	A	C	A	C	A	C										
φ 12	35	30.5	35	30.5	45	40.5	45	40.5	4.5	14.5	-	14.5	4.5	-	9	M3×0.5P×7L	M5×0.8	9.8
φ 16	35.2	31.5	35.2	31.5	45.2	41.5	45.2	41.5	3.7	13.7	-	13.7	3.7	-	9	M3×0.5P×7L	M5×0.8	10
φ 20	35	29.5	35	29.5	45	39.5	45	39.5	5.5	19.5	-	18	4	1.5	13	M4×0.7P×10L	M6×1.0	13
φ 25	37.2	31.2	37.2	31.2	47.2	41.2	47.2	41.2	6	22	-	20.1	4.1	2	15	M5×0.8P×10L	M8×1.25	17
φ 32	41	34	41	34	51	44	51	44	7	24	50	20.7	3.7	3.3	16	M6×1.0P×14L	M10×1.25	22
φ 40	43.5	36.5	43.5	36.5	53.5	46.5	53.5	46.5	7	34	58.5	30.7	3.7	3.3	25	M8×1.25P×14L	M14×1.5	28
φ 50	47.6	38.6	47.6	38.6	57.6	48.6	57.6	48.6	9	36	71.5	32.1	5.1	3.9	25	M10×1.5P×15L	M18×1.5	38

Bore	M	N1	N3	O	P1	P2	P4			R	S	T1	T2	V	W	X	Y
							φ 4.3,2	φ 5.1,2	φ 6.8,2								
φ 12	3	7.5	6	M5×0.8	10.5	4.5	φ 4.3,2	M5×0.8P×6L	φ 6.5×4.5dp	-	25	15.7	22.2	6	5	-	-
φ 16	3	8	6.5	M5×0.8	10.5	4.5	φ 4.3,2	M5×0.8P×6L	φ 6.5×4.5dp	-	29	19.8	28	6	5	-	-
φ 20	3	7.5	-	M5×0.8	11	5	φ 4.3,2	M5×0.8P×6L	φ 7×5dp	-	34	24	-	8	6	-	-
φ 25	3	8	-	M5×0.8	14	6	φ 5.1,2	M6×1.0P×8L	φ 8×6dp	-	40	28	-	10	8	-	-
φ 32	3	9	-	PT 1/8	14	6	φ 5.1,2	M6×1.0P×8L	φ 8×6dp	6	44	34	-	12	10	15	13.6
φ 40	3	10	-	PT 1/8	18	8	φ 6.8,2	M8×1.25P×10L	φ 10×8dp	6.5	52	40	-	16	14	15	13.6
φ 50	3	10.8	-	PT 1/4	18.5	8.5	φ 6.8,2	M8×1.25P×10L	φ 11×8.5dp	9.5	62	48	-	20	17	21.6	19



## Single acting - Normally retracted piston rod type



## Dimensional Table

The length "C" of cylinder body is same of the stroke: (5,10)(15,20)(25,30)(35,40)(45,50)(55,60)

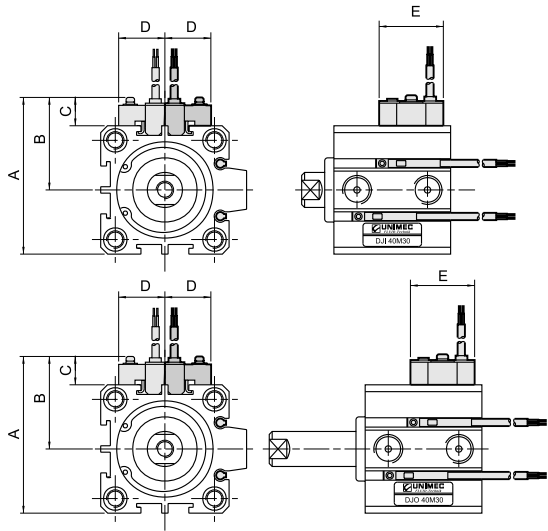
Bore	DJO..N				DJO..M				B1	B2	D	E	F	G	H	K1(Female thread)	K2(Male thread)	L
	Stroke 5~15		Stroke 20~30		Stroke 5~10		Stroke 20											
	A	C	A	C	A	C	A	C										
φ 12	35	30.5	35	30.5	45	40.5	45	40.5	4.5	14.5	-	14.5	4.5	-	9	M3 × 0.5P × 7L	M5 × 0.8	9.8
φ 16	35.2	31.5	35.2	31.5	45.2	41.5	45.2	41.5	3.7	13.7	-	13.7	3.7	-	9	M3 × 0.5P × 7L	M5 × 0.8	10
φ 20	35	29.5	35	29.5	45	39.5	45	39.5	5.5	19.5	-	18	4	1.5	13	M4 × 0.7P × 10L	M6 × 1.0	13
φ 25	37.2	31.2	37.2	31.2	47.2	41.2	47.2	41.2	6	22	-	20.1	4.1	2	15	M5 × 0.8P × 10L	M8 × 1.25	17
φ 32	41	34	41	34	51	44	51	44	7	24	50	20.7	3.7	3.3	16	M6 × 1.0P × 14L	M10 × 1.25	22
φ 40	43.5	36.5	43.5	36.5	53.5	46.5	53.5	46.5	7	34	58.5	30.7	3.7	3.3	25	M8 × 1.25P × 14L	M14 × 1.5	28
φ 50	47.6	38.6	47.6	38.6	57.6	48.6	57.6	48.6	9	36	71.5	32.1	5.1	3.9	25	M10 × 1.5P × 15L	M18 × 1.5	38

Bore	M	N1	N3	O	P1	P2	P4	R	S	T1	T2	V	W	X	Y
φ 12	3	7.5	6	M5 × 0.8	10.5	4.5	φ 4.3, 2—M5 × 0.8P × 6L, φ 6.5 × 4.5dp	-	25	15.7	22.2	6	5	-	-
φ 16	3	8	6.5	M5 × 0.8	10.5	4.5	φ 4.3, 2—M5 × 0.8P × 6L, φ 6.5 × 4.5dp	-	29	19.8	28	6	5	-	-
φ 20	3	7.5	-	M5 × 0.8	11	5	φ 4.3, 2—M5 × 0.8P × 6L, φ 7 × 5dp	-	34	24	-	8	6	-	-
φ 25	3	8	-	M5 × 0.8	14	6	φ 5.1, 2—M6 × 1.0P × 8L, φ 8 × 6dp	-	40	28	-	10	8	-	-
φ 32	3	9	-	PT 1/8	14	6	φ 5.1, 2—M6 × 1.0P × 8L, φ 8 × 6dp	6	44	34	-	12	10	15	13.6
φ 40	3	10	-	PT 1/8	18	8	φ 6.8, 2—M8 × 1.25P × 10L, φ 10 × 8dp	6.5	52	40	-	16	14	15	13.6
φ 50	3	10.8	-	PT 1/4	18.5	8.5	φ 6.8, 2—M8 × 1.25P × 10L, φ 11 × 8.5dp	9.5	62	48	-	20	17	21.6	19

### Installation of sensor switches

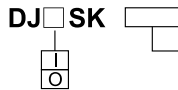
- DJI TYPE
- DJO TYPE



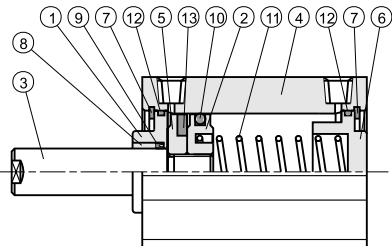
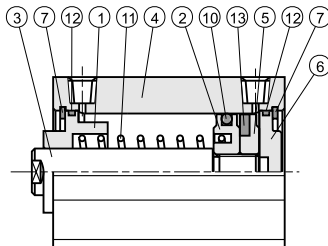
### Dimensional Table

Bore	Sensor switch	A	B	C	D	E
φ 12	LN01D	34.5	22	9.5	15.5	22
φ 16	LN01D	38.5	24	9.5	15.5	22
φ 20	LN01D	43.5	26.5	9.5	15.5	22
φ 25	LN01D	49.5	29.5	9.5	15.5	22
φ 32	LN01D	53.5	31.5	9.5	15.5	22
φ 40	LN01D	61.5	35.5	9.5	15.5	22
φ 50	LN01D	71.5	40.5	9.5	15.5	22

### How to order the seal kit



Bore	Seal kit	Bore	Seal kit
12	DJISK12 - Including No.10,12	12	DJOSK12 - Including No.9,10,12
16	DJISK16 - Including No.10,12	16	DJOSK16 - Including No.9,10,12
20	DJISK20 - Including No.10,12	20	DJOSK20 - Including No.9,10,12
25	DJISK25 - Including No.10,12	25	DJOSK25 - Including No.9,10,12
32	DJISK32 - Including No.10,12	32	DJOSK32 - Including No.9,10,12
40	DJISK40 - Including No.10,12	40	DJOSK40 - Including No.9,10,12
50	DJISK50 - Including No.10,12	50	DJOSK50 - Including No.9,10,12



### Parts List

No.	Part name	Quantity	No.	Part name	Quantity	No.	Part name	Quantity
1	Rod cover	1	6	End cover	1	11	Spring	1
2	Piston	1	7	Snap ring	2	12	Cylinder gasket	2
3	Piston rod	1	8	Oilless bearing	1	13	Magnet	1
4	Cylinder tube	1	9	Rod packing	1	14		
5	Magnet holder	1	10	Piston packing	1	15		

DA

DP

DS

DQ

DB

DN

BN

ST

NT

DU

DJ

TA

GP

GS

GM

GT

RT

CT

CH



## Double acting guide cylinders

### DJQ..N

Double Acting - Standard Type



### DJQ..M

Double Acting - Standard Type (piston with magnet)



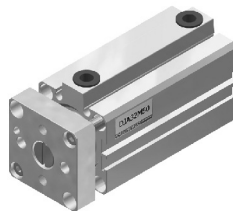
### DJQ..N..Z

Double Acting - Female Thread Type



### DJQ..M..Z

Double Acting - Female Thread Type (piston with magnet)

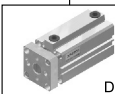
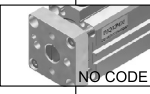
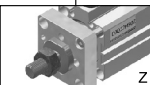
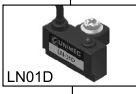



- Magnetic piston. (optional)
- Concealed self-lubricating bearing for smooth operating.
- Attached with double guide rod for heavy load.
- Two types of simple design available.
- Short in design, space-saving.

## Specification

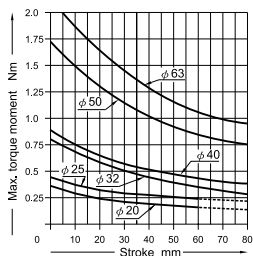
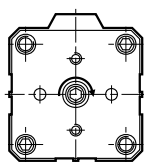
Type	DJQ	DJQ-Z
Bore sizes of cylinder (mm)	φ 20~ φ 63	φ 32~ φ 63
Standard stroke (mm)	10,20,30,40,50,60,70,80	
Power fluid	Filtered air with or without lubrication	
The range of pressure (MPa)	0.1~1.03	
The range of temperature (°C)	-10~+60	

## How to order

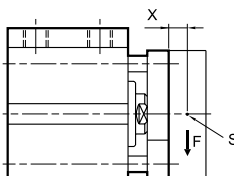
DJQ	32	N	30	Z	LN01D	2
Type	Bore	Magnet	Stroke	Accessory	Sensor switch	Quantity
 DJQ	20—φ 20mm 25—φ 25mm 32—φ 32mm 40—φ 40mm 50—φ 50mm 63—φ 63mm	M: With magnet N: No magnet	10—10mm 20—20mm 30—30mm 40—40mm 50—50mm 60—60mm 70—70mm 80—80mm	 NO CODE   Z	 LN01D   LN09D	1: 1pc 2: 2pcs

Note:  
 1.Can choose NPN or PNP type (3-Wire type, 24VDC).  
 2.Can choose plug-in cable.  
 3.For details see page 4-1.3 or 4-1.5.

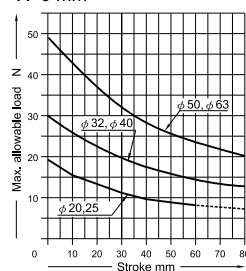
## Maximum allowable torque moment



## Maximum allowable load



X=0 mm



## Standard stroke

Bore	Type Stroke	DJQ										DJQ..M								
		10	20	30	40	50	60	75	85	100	10	20	30	40	50	65	75	90		
φ 20		●	●	●	●	●	●	—	—	—	●	●	●	●	●	—	—	—		
φ 25		●	●	●	●	●	—	—	—	—	●	●	●	●	●	—	—	—		

Bore	Type Stroke	DJQ					DJQ..Z					DJQ..M				DJQ..M..Z			
		10	20	30	40	50	60	75	85	100	10	20	30	40	50	65	75	90	
φ 32		●	●	●	●	●	●	●	—	—	●	●	●	●	●	—	—	—	
φ 40		●	●	●	●	●	●	—	—	—	●	●	●	●	●	—	—	—	
φ 50		●	●	●	●	●	●	●	●	●	●	●	●	●	●	●	●	●	
φ 63		●	●	●	●	●	●	●	●	●	●	●	●	●	●	●	●	●	

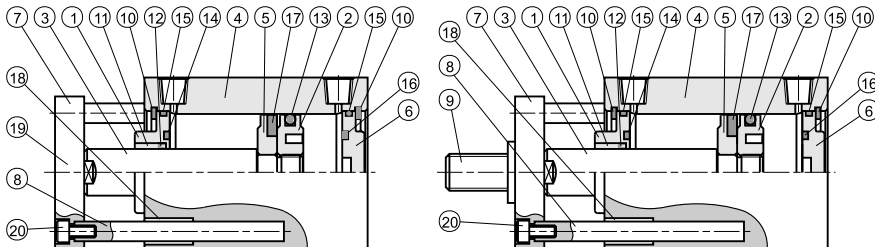
## Installation of sensor switches

Bore	Sensor switch	A	B	C	D	E
φ 20	LN01D	43.5	26.5	9.5	15.5	22
φ 25	LN01D	49.5	29.5	9.5	15.5	22
φ 32	LN01D	53.5	31.5	9.5	15.5	22
φ 40	LN01D	61.5	35.5	9.5	15.5	22
φ 50	LN01D	71.5	40.5	9.5	15.5	22
φ 63	LN01D	84.5	47	9.5	15.5	22

## How to order the seal kit

DJQSK

Bore	Seal kit
20	DJQSK20 - Including No.12,13,15
25	DJQSK25 - Including No.12,13,15
32	DJQSK32 - Including No.12,13,15
40	DJQSK40 - Including No.12,13,15
50	DJQSK50 - Including No.12,13,15
63	DJQSK63 - Including No.12,13,15



## Parts List

No.	Part name	Quantity	No.	Part name	Quantity	No.	Part name	Quantity
1	Rod cover	1	8	Guide stem	2	15	Cylinder gasket	2
2	Piston	1	9	Male thread connector	1	16	Rubber lining	1
3	Piston rod	1	10	Snap ring	2	17	Magnet	1
4	Cylinder tube	1	11	Oilless bearing	1	18	Oilless bearing	2
5	Magnet holder	1	12	Rod packing	1	19	Hexagon socket head screw	1
6	End cover	1	13	Piston packing	1	20	Hexagon socket head screw	2
7	Guide plate	1	14	Rubber lining	1	21		

DA

DP

DS

DQ

DB

DN

BN

ST

NT

DU

DJ

TA

GP

GS

GM

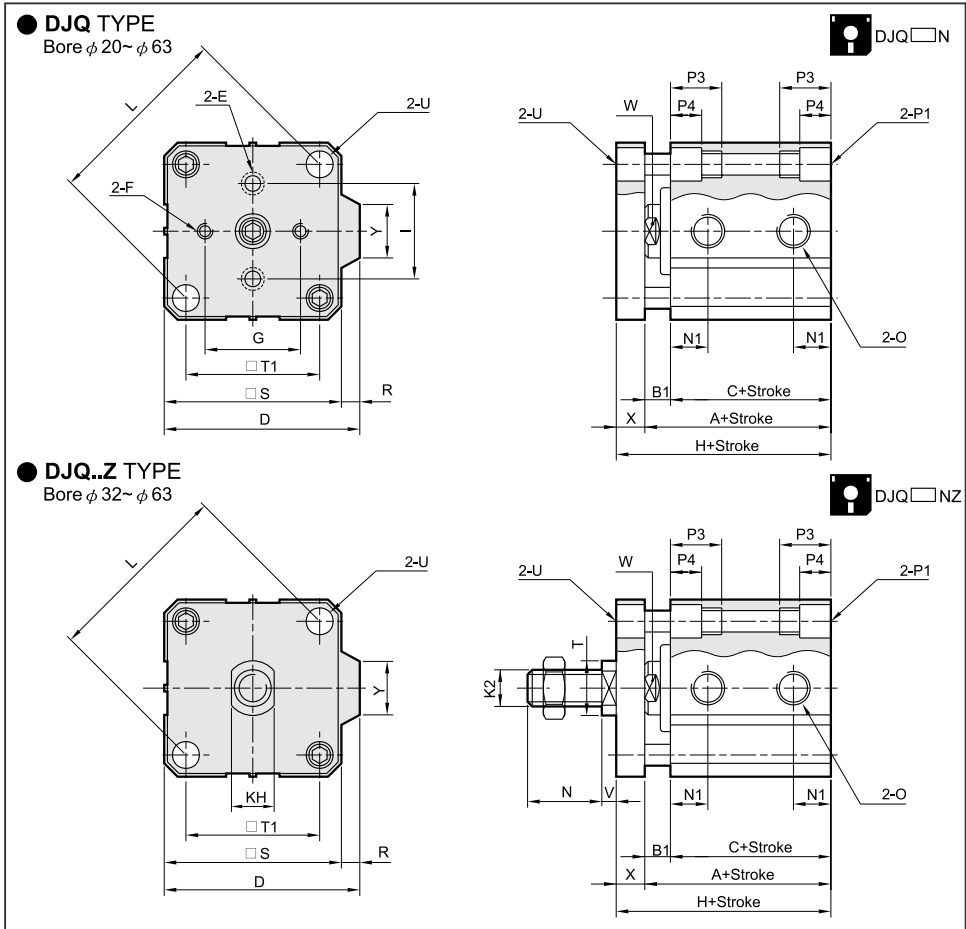
GT

RT

CT

CH

## Double acting - Standard type



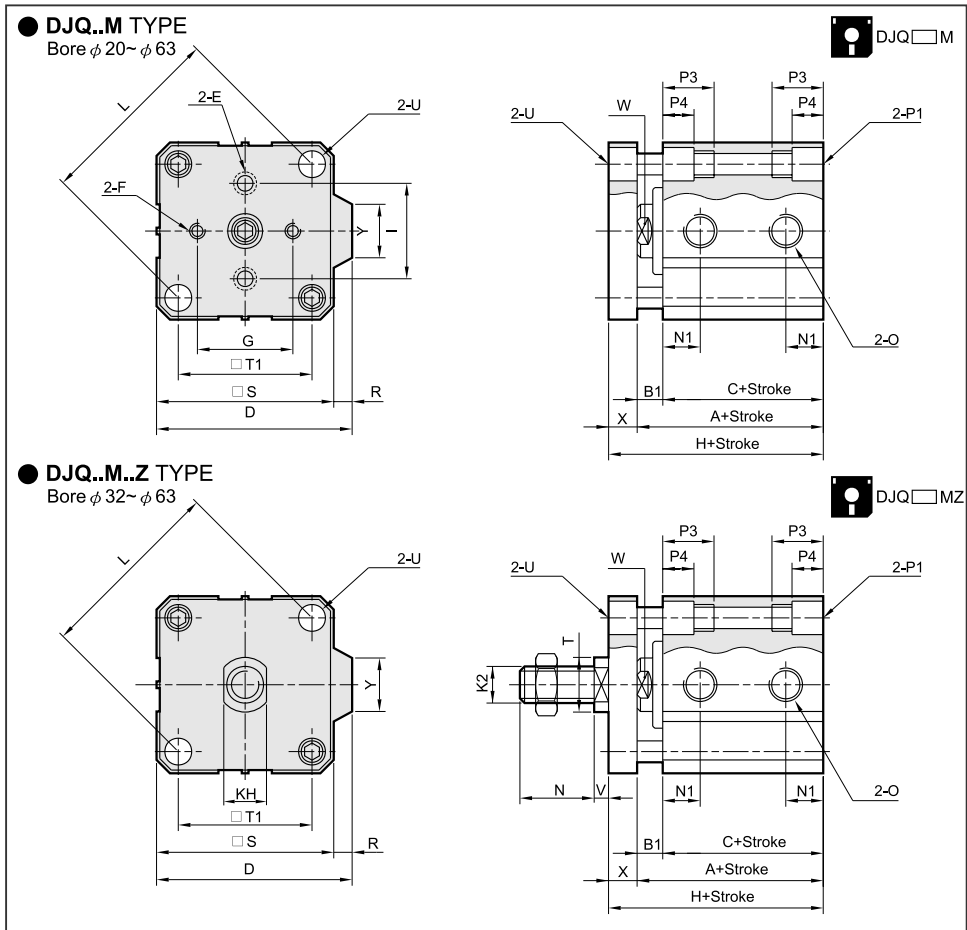
### Dimensional Table

The length "C" of cylinder body is same of the stroke: (5,10)(15,20)(25,30)(35,40)(45,50)(55,60)

Bore	A	B1	C	D	E	F	G	H	I	K2	KH	L	N	N1
φ 20	25	5.5	19.5	—	M6	M6	24	33	24	—	—	34	—	7.5
φ 25	27.2	6	21.2	—	M6	M6	28	35.2	28	—	—	39.6	—	8
φ 32	31	7	24	50	φ 5.5 × φ 10 × 5.5L	M5	28	43	28	M10 × 1.25	22	48	25	9
φ 40	33.5	7	26.5	58	φ 5.5 × φ 10 × 5.5L	M5	33	45.5	33	M14 × 1.5	22	56.5	25	10
φ 50	37.6	9	28.6	71	φ 6.5 × φ 11 × 6.5L	M6	42	49.6	42	M16 × 1.5	22	68	30	10.8
φ 63	41	8.5	32.5	84.5	φ 6.5 × φ 11 × 6.5L	M6	50	53	50	M16 × 1.5	22	85	30	11

Bore	O	P1	P3	P4	R	S	T	T1	U	V	W	X	Y
φ 20	M5 × 0.8	φ 3.8, 2-φ 6.5 × 5dp, 2-M5 × 0.8P × 6L	11	5	—	34	—	24	6.5	—	6	8	—
φ 25	M5 × 0.8	φ 5.1, 2-φ 8 × 6dp, 2-M6 × 1.0P × 8L	14	6	—	40	—	28	6.5	—	8	8	—
φ 32	PT 1/8	φ 5.1, 2-φ 8 × 6dp, 2-M6 × 1.0P × 8L	14	6	6	44	25	34	8.5	5	10	12	13.6
φ 40	PT 1/8	φ 6.8, 2-φ 10 × 8dp, 2-M8 × 1.25P × 10L	18	8	6.5	52	25	40	10.5	5	14	12	13.6
φ 50	PT 1/4	φ 6.8, 2-φ 10 × 8dp, 2-M8 × 1.25P × 10L	18.5	8.5	9.5	62	25	48	10.5	5	17	12	19
φ 63	PT 1/4	φ 6.8, 2-φ 10 × 8dp, 2-M8 × 1.25P × 10L	18.5	8.5	9.5	75	25	60	10.5	5	17	12	20.5

## Double acting - Magnetic piston type



- DA
- DP
- DS
- DQ
- DB
- DN
- BN
- ST
- NT
- DU
- DJ
- TA
- GP
- GS
- GM
- GT
- RT
- CT
- CH

### Dimensional Table

The length "C" of cylinder body is same of the stroke: (5,10)(15,20)(25,30)(35,40)(45,50)(55,60)

Bore	A	B1	C	D	E	F	G	H	I	K2	KH	L	N	N1
φ 20	35	5.5	29.5	—	M6	M6	24	43	24	—	—	34	—	7.5
φ 25	37.2	6	31.2	—	M6	M6	28	45.2	28	—	—	39.6	—	8
φ 32	41	7	34	50	φ 5.5 × φ 10 × 5.5L	M5	28	53	28	M14 × 1.5	22	48	25	9
φ 40	43.5	7	36.5	58	φ 5.5 × φ 10 × 5.5L	M5	33	55.5	33	M14 × 1.5	22	56.5	25	10
φ 50	47.6	9	38.6	71	φ 6.5 × φ 11 × 6.5L	M6	42	59.6	42	M16 × 1.5	22	68	30	10.8
φ 63	51	8.5	42.5	84.5	φ 6.5 × φ 11 × 6.5L	M6	50	63	50	M16 × 1.5	22	85	30	11

Bore	O	P1	P3	P4	R	S	T	T1	U	V	W	X	Y
φ 20	M5 × 0.8	φ 3.8, 2-φ 6.5 × 6dp, 2-M5 × 0.8P × 6L	11	5	—	34	—	24	6.5	—	6	8	—
φ 25	M5 × 0.8	φ 5.1, 2-φ 8 × 6dp, 2-M6 × 1.0P × 8L	14	6	—	40	—	28	6.5	—	8	8	—
φ 32	PT 1/8	φ 5.1, 2-φ 8 × 6dp, 2-M6 × 1.0P × 8L	14	6	6	44	25	34	8.5	5	10	12	13.6
φ 40	PT 1/8	φ 6.8, 2-φ 10 × 8dp, 2-M8 × 1.25P × 10L	18	8	6.5	52	25	40	10.5	5	14	12	13.6
φ 50	PT 1/4	φ 6.8, 2-φ 10 × 8dp, 2-M8 × 1.25P × 10L	18.5	8.5	9.5	62	25	48	10.5	5	17	12	19
φ 63	PT 1/4	φ 6.8, 2-φ 10 × 8dp, 2-M8 × 1.25P × 10L	18.5	8.5	9.5	75	25	60	10.5	5	17	12	20.5